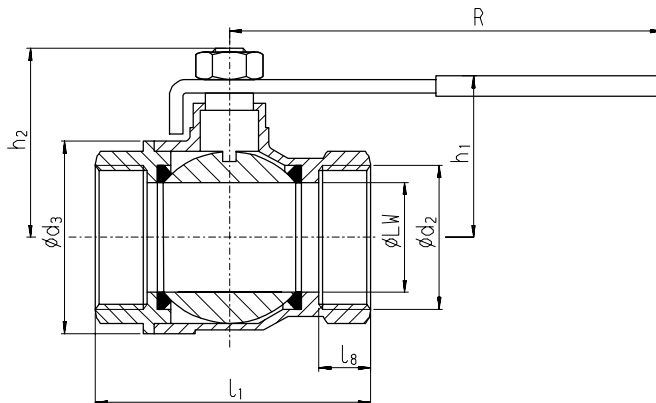
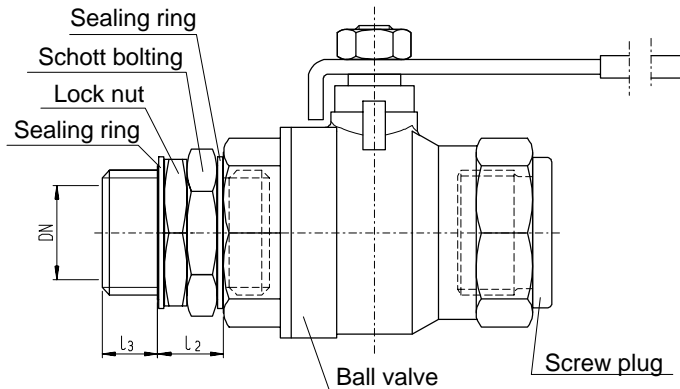


These Operating Instructions are binding for ball valves (direction-adjustable version) to Flender Works Standard F 5102.

The ball valves are to be mounted without liquid plastic, because there is an appropriate sealing ring on each sealing place. The ball valve can be placed in any position due to the Schott bolting /counter nut combination.


Material:

- Housing : nickel-plated brass
- Ball : chromium-plated brass
- Valve key : galvanized steel with yellow plastic sheathing
- Ball seal : Teflon (PTFE)
- Sealing ring : NBR
- Double nipple : GTW35-V
- Plug : GTW35-V

Operable temperature range:
from -20 °C to max. +170 °C

Nominal width of connection	Pipe thread		Rated pressure						Threaded length				Weight
DN	d ₂	LW	PN bar max.	d ₃	h ₁	h ₂	l ₁ ±2	l ₂	l ₃	l ₈	R	SW	kg approx.
6	G 1/4	8	65	28	29	33	50	17	17	12	83	22	0,16
10	G 3/8	10	65	32	29	36	60	19	19	12	85	22	0,17
15	G 1/2	15	65	34	32	39	75	22	23	15	89	27	0,19
20	G 3/4	20	40	44	37	42	80	23	24	17	122	32	0,37
25	G 1	25	40	53	40	48	90	25	26	19,5	122	41	0,58
32	G 1 1/4	32	30	64	56	66	110	27	28	22,5	156	50	0,92
40	G 1 1/2	40	30	80	58	68	120	29	30	24,5	160	55	1,35
50	G 2	50	30	96	67	72	140	32	33	24,5	160	70	2,32

Diese technische Unterlage hat gesetzlichen Schutz (DIN 34)